

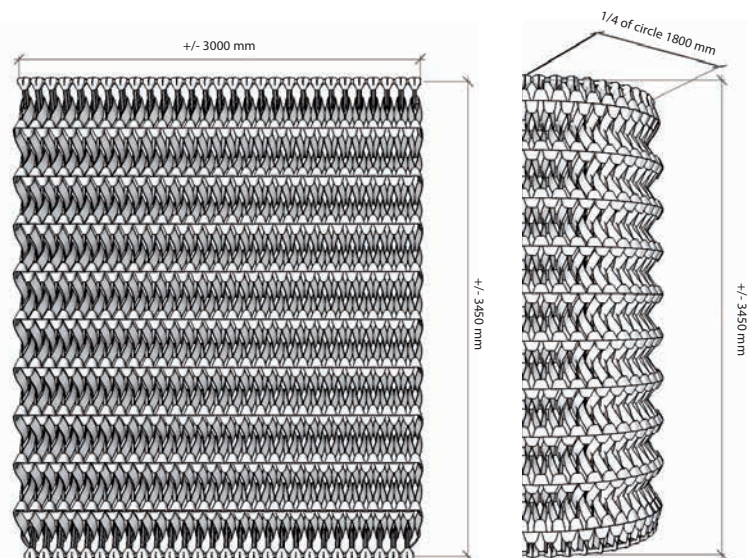
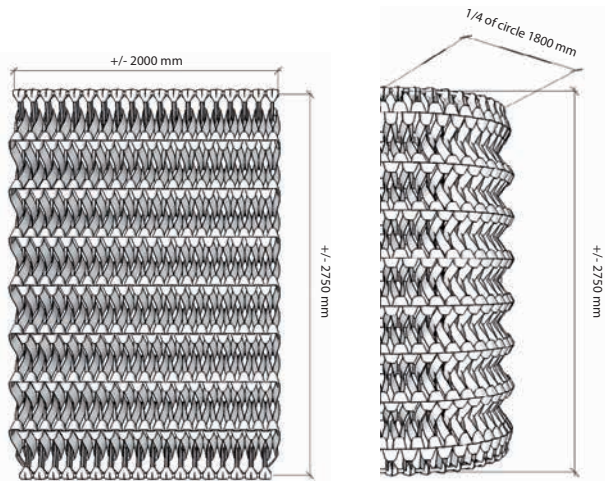
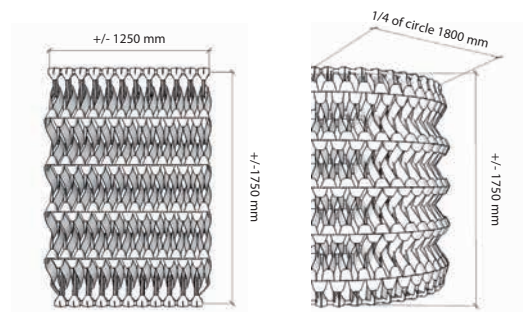


PLECTERE

ACOUSTIC TEXTILE DESIGN

studio petra vonk

3D drawings



PLECTERE *aline* and *curve* 3D drawings are available in 6 length sizes:
±1750 mm | ±2000mm | ±2350mm | ±2750mm | ±3050mm | ±3450mm

PLECTERE has no limit as to the width.

PLECTERE *curve* is a quarter of a circle (diameter 180 cm) which can be extended at both ends with one or more rows (middle piece up to the desired width. The side can be closed with an end piece left/ right).

Combinations can be made:

PLECTERE *curve* 1750 (h) can be combined with PLECTERE *aline* 1750 (h).
PLECTERE *curve* 3050 (h) can be combined with PLECTERE *aline* 3050 (h).

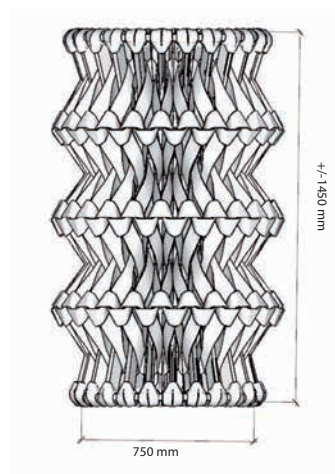
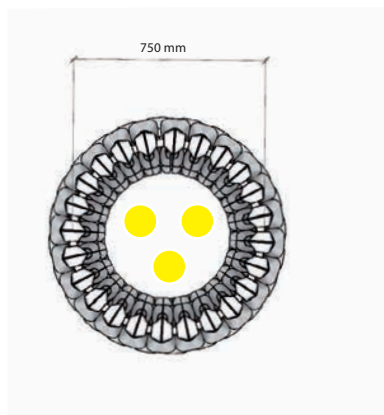
There is always a margin of ± 5 to 10cm on all sides; PLECTERE is a handmade product.

PLEASE NEVER SCALE THE SIZE OF THE 3D DRAWINGS YOURSELF.

POSSIBLE PLECTERE MEANDERING SHAPES EXAMPLES



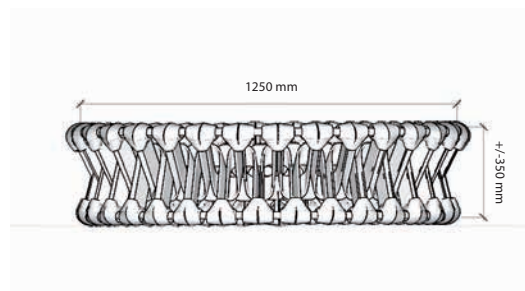
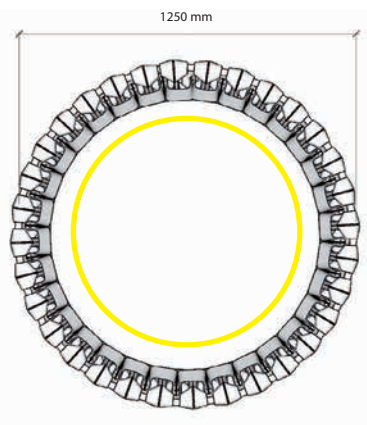
3D drawings



PLECTERE *light tube* 3D drawings are available in 7 length sizes:
 ± 1400 mm | ± 1750 mm | ± 2000 mm | ± 2350 mm | ± 2750 mm | ± 3050 mm | ± 3450 mm
with a diameter of 500mm up till 2000mm.

PLECTERE *light disc* 3D drawings are available in 3 sizes:
 ± 350 mm(h) x ± 750 mm \emptyset | ± 350 mm(h) x ± 1250 mm \emptyset | ± 350 mm(h) x ± 1750 mm \emptyset

There is always a margin of ± 5 to 10cm on all sides; PLECTERE is a handmade product.



PLEASE NEVER SCALE THE SIZE OF THE 3D DRAWINGS YOURSELF.

studio **PetraVonk** textile design

Adm. de Ruyterweg 103 1st floor | 1056 EV Amsterdam
+31 622773334 | www.petravonk.nl | info@petravonk.nl